

Promozione MEC 2018

Fresa a spallamento retto con inserti positivi



**CORPO UTENSILE
SCONTATO**

Acquistando un numero specifico di inserti, riceverete il corrispondente utensile ad un prezzo scontato

MEC Fresa a spianare

Corpo Ø (mm)	Numero di inserti richiesti
40 - 63	30
80 - 100	40
125 - 160	50

MEC Fresa a spianare (con attacco filettato)

Corpo Ø (mm)	Numero di inserti richiesti
10 - 14	20
16 - 32	30
35 - 50	40



Condizioni e termini commerciali

- Promozione con decorrenza immediata, valida fino al 31.03.2018.
- Promozione non cumulabile con altre offerte speciali. Non verranno accettati ordini su programmazione, prezzi speciali, cancellazioni, cambi e resi
- Salvo errori, con riserva soggetto a modifiche.

APPROVATO

Da F.A.I. Tools SRL alle 17.45, 11/01/2018

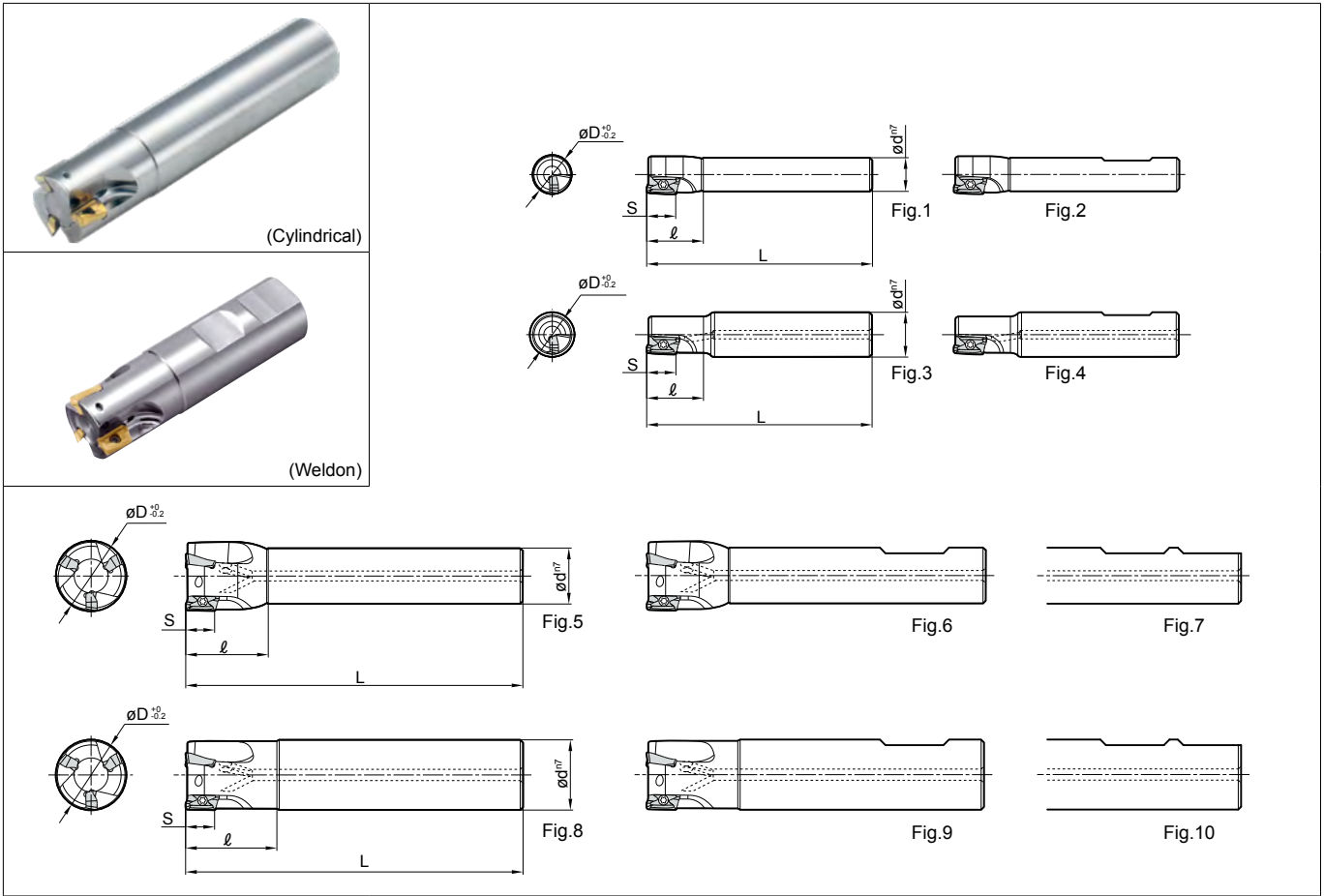


Web: www.faitools.it

Mail: info@faitools.it

Tel: 051-782510. Fax 051-781620



MEC Endmill



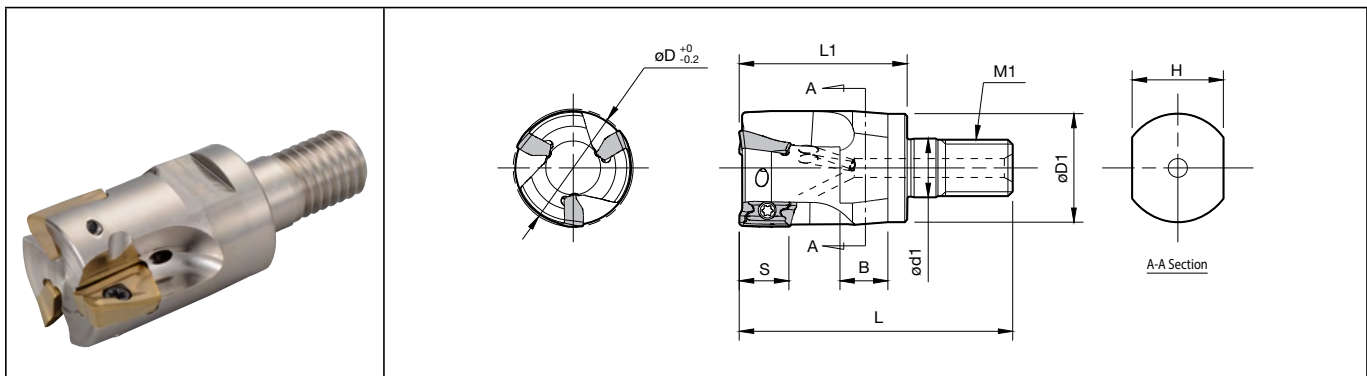
Toolholder Dimensions

Description		Std.	No. of Inserts	Dimension (mm)					Rake Angle (°)		Coolant Hole	Drawing	Spare Parts		Max. Revolution (min ⁻¹)			
				øD	ød	L	l	S	A.R. (MAX)	R.R.			Clamp Screw	Wrench				
Weldon	Standard Shank	MEC 10-W10-1103	●	1	10	10	60	17	10	+10°	-24°	No	Fig.2	SB-2545TR	DTM-8	54,800		
		10-W16-1103-H	●			16	68			+12°	-21°	Yes	Fig.4					
		12-W10-1103	●		12	10	60	20		10	+12°	-19°	No				Fig.2	
		12-W16-1103-H	●			16	68						Yes				Fig.4	
		14-W12-1103	●			14	12						68				No	Fig.2
		14-W16-1103-H	●	16	68		Yes	Fig.4										
		MEC 16-W12-11T3	●	2	16	12	68	23	10	+18°	-14°	No	Fig.2			SB-2555TRG	DTM-8	43,750
		18-W16-11T3-H	●		18	16				25	+19°	-13°	Yes					Fig.6
		20-W16-11T3-H	●	3	20	81	26	10	+21°	-10°	Yes	Fig.6						
		22-W20-11T3-H	●		22								29					39,600
	25-W20-11T3-H	●	25		32								37,500					
	28-W25-11T3-H	●	4	28	88	32	10	+22°	-9°	Yes	Fig.7	35,800						
	30-W25-11T3-H	●		30								34,800						
	32-W25-11T3-H	●	5	32	100	40	10	+23°	-8°	Yes	Fig.7	33,900						
	40-W32-11T3-H	●		40								30,000						
	Same Shank Size	MEC 16-W16-11T3-H	●	2	16	16	68	25	10	+18°	-14°	Yes	Fig.9	SB-2555TRG	DTM-8			43,750
			●							20	20					81	30	+20°
			●	3	25	25	88	32	+21°	-10°	Yes	Fig.10	37,500					
			●		32	32	100	40	+23°	-9°	Yes		33,900					
	Standard Shank	MEC 25-W20-1704-H	●	2	25	20	86	36	15.7	+16°	-11°	Yes	Fig.6	SB-4070TRN	DTM-15	35,000		
●			32							25	92					+17°	-7°	30,000
●			40	32	110	50	+19°	-7°	25,000									
Same Shank Size	MEC 25-W25-1704-H	●	2	25	25	92	36	15.7	+16°	-11°	Yes	Fig.10	SB-4070TRN	DTM-15	35,000			
		●							32	32					100	40	+17°	-7°

● Toolholder Dimensions

Description		Std.	No. of Inserts	Dimension (mm)					Rake Angle (°)		Coolant Hole	Drawing	Spare Parts		Max. Revolution (min ⁻¹)										
				øD	ød	L	ℓ	S	A.R. (MAX)	R.R.			Clamp Screw	Wrench											
																									
Cylindrical	Standard Shank	MEC 10-S10-11	●	1	10	10	80	17	10	+10°	-24°	No	Fig.1	SB-2545TR	DTM-8	54,800									
		10-S16-11	●			16				Yes	Fig.3														
		12-S10-11	●		12	10				20	10	+12°	-21°				No	Fig.1							
		12-S12-11	●			12											Yes	Fig.3							
		12-S16-11	●			16																			
		13-S12-11	●		13	12				10	-19°	No	Fig.1												
		14-S12-11	●			12						Yes	Fig.3												
		14-S16-11	●	14	16	Yes	Fig.3																		
		MEC 16-S12-11T	●	2	16	12	100	23	10	+18°	-14°	No	Fig.1	SB-2555TRG	DTM-8	43,750									
		17-S16-11T	●		17	16				+19°	-13°	Yes	Fig.3			43,500									
		18-S16-11T	●	3	18	16	110	26	10	+20°	-10°	Yes	Fig.3	SB-2555TRG	DTM-8	43,000									
		19-S16-11T	●		19											42,000									
		20-S16-11T	●		20											41,000									
		21-S20-11T	●	2	21	20	110	26	10	+21°	-10°	Yes	Fig.3	SB-2555TRG	DTM-8	40,300									
		22-S20-11T	●		22											39,600									
		24-S20-11T	●	3	24	20	120	29	10	+22°	-9°	Yes	Fig.3	SB-2555TRG	DTM-8	38,200									
		25-S20-11T	●		25											37,500									
		28-S25-11T	●	4	28	25	130	32	10	+23°	-9°	Yes	Fig.3	SB-2555TRG	DTM-8	35,800									
		30-S25-11T	●		30											34,800									
		32-S25-11T	●	5	32	32	150	50	10	+23°	-8°	Yes	Fig.3	SB-2555TRG	DTM-8	33,900									
	40-S32-11T	●	40		30,000																				
	50-S32-11T	●	50	22,500																					
	MEC 16-S16-11T	●	2	16	16	100	30	10	+18°	-14°	Yes	Fig.8	SB-2555TRG	DTM-8	43,750										
	20-S20-11T	●		20	20	110	30	+20°	-10°	41,000															
	25-S25-11T	●		25	25	120	32	+21°	-10°	37,500															
	32-S32-11T	●		32	32	130	40	+23°	-9°	33,900															
	Long Shank	MEC	20-S18-170-11T	●	2	20	18	170	30	10	+20°	-10°	Yes	Fig.5	SB-2555TRG	DTM-8	41,000								
			20-S20-140-11T	●			140	60	Fig.8																
			20-S20-170-11T	●		20	170	30			Fig.5	39,600													
			22-S20-170-11T	●			22	23	210								32	Fig.5							
			25-S23-210-11T	●		25	160		60		Fig.8	37,500													
			25-S25-160-11T	●			25	210	32								Fig.8								
			28-S25-210-11T	●		28	30	250	40		Fig.5	35,800													
			32-S30-250-11T	●				32	200								65	Fig.5							
			32-S32-200-11T	●		32	250	40	Fig.8		33,900														
			32-S32-250-11T	●				32				200					65	Fig.5							
			35-S32-250-11T	●		35	32	250	40		Fig.5	32,600													
			40-S32-240-11T	●				40	240								65	Fig.5	30,000						
			Standard Shank	MEC		25-S20-17	●	2	25		20	120					36			15.7	+16°	-11°	Yes	Fig.5	SB-4070TRN
						32-S25-17	●		32		25	130					40	+17°	-7°		30,000				
	40-S32-17	●			40	32	150		50	+19°	-7°	25,000													
	50-S32-17	●			50	32	150		50	+19°	-7°	17,000													
	Same Shank Size	MEC	25-S25-17	●	2	25	25	120	36	15.7	+16°	-11°	Yes	Fig.8	SB-4070TRN	DTM-15	35,000								
			32-S32-17	●		32	32	130	40		+17°	-7°					30,000								
	Long Shank	MEC	25-S25-160-17	●	2	25	160	60	15.7	+16°	-11°	Yes	Fig.8	SB-4070TRN	DTM-15	35,000									
			25-S25-210-17	●			210	36								Fig.5	32,500								
			28-S25-210-17	●		28	200	65		Fig.8	30,000														
			32-S32-200-17	●												32	250	40	Fig.8						
			32-S32-250-17	●		32	250	40		Fig.5	27,700														
			35-S32-250-17	●												35	240	65	Fig.5	25,000					
40-S32-240-17			●	40		240	65	Fig.5																	

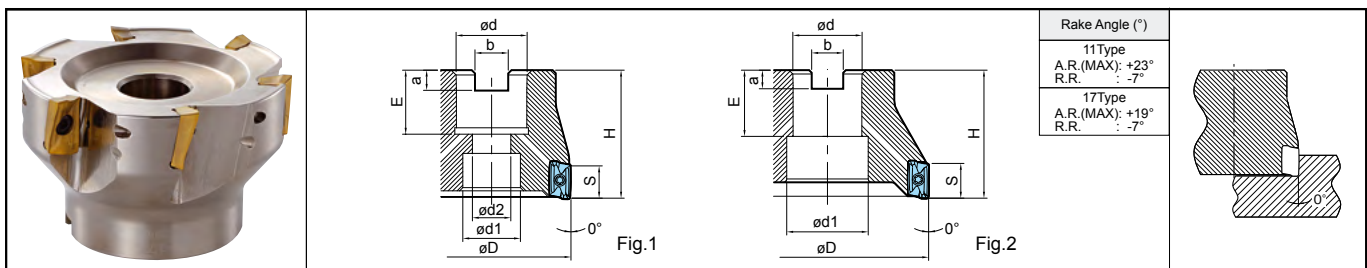
MEC Screw on type



Toolholder Dimensions

Description	Std.	No. of Inserts	Dimension (mm)									Rake Angle (°)		Coolant Hole	Applicable Inserts	Max. Revolution (min ⁻¹)
			ϕD	$\phi D1$	$\phi d1$	L	L1	M1	H	B	S	A.R. (MAX)	R.R.			
MEC 16-M08-11T-2T	●	2	16	14.7	8.5	43	25	M8×P1.25	12	8	10	+18°	-14°	Yes	BDMT11T3 BDGT11T3	43,750
20-M10-11T-2T	●	2	20	18.7	10.5	49	30	M10×P1.5	15	9		+20°	-10°			41,000
20-M10-11T-3T	●	3	20	18.7	10.5	49	30	M10×P1.5	15	9		+20°	-10°			41,000
25-M12-11T-3T	●	3	25	23	12.5	57	35	M12×P1.75	19	10		+21°	-10°			37,500
32-M16-11T-4T	●	4	32	30	17	63	40	M16×P2	24	12		+23°	-9°			33,900
MEC 25-M12-17-2T	●	2	25	23	12.5	57	35	M12×P1.75	19	10	15.7	+16°	-11°	Yes	BDMT1704 BDGT1704	35,000
32-M16-17-3T	●	3	32	30	17	63	40	M16×P2	24	12		+17°	-7°			30,000

MEC Face Mill



Toolholder Dimensions

Description	Std.	No. of Inserts	Dimension (mm)									Coolant Hole	Drawing	Weight (kg)	Spare Parts		Max. Revolution (min ⁻¹)
			ϕD	ϕd	$\phi d1$	$\phi d2$	H	E	a	b	S				Clamp screw	Wrench	
MEC 040R-11-5T-M	●	5	40	16	14	8.5	40	20	5.5	8.5	10	Yes	Fig.1	0.2	SB-2555TRG	DTM-8	30,000
050R-11-5T-M	●	5	50	22	18	12		22	6.3	10.4				0.3			22,500
063R-11-6T-M	●	6	63	27	20	14	26	7	12.4	0.7				20,500			
080R-11-7T-M	●	7	80	32	26	17.6	55	8	14.4	1.0				18,500			
100R-11-9T-MN	●	9	100	40	45	32	63	9.5	16.4	1.6				17,000			
125R-11-11T-M	●	11	125	40	68	-	63	33	9.5	16.4	3.1	15,000					
160R-11-14T-M	●	14	160	40	68	-	63	33	9.5	16.4	4.5	No	Fig.2	4.5			13,900
MEC 040R-17-4T-M	●	4	40	16	14	8.5	40	20	5.5	8.5	15.7	Yes	Fig.1	0.3	SB-4070TRN	DTM-15	25,000
050R-17-4T-M	●	4	50	22	18	12		22	6.3	10.4				0.4			17,000
063R-17-5T-M	●	5	63	27	20	14	26	7	12.4	0.6				14,500			
080R-17-6T-M	●	6	80	32	26	17.6	55	8	14.4	1.0				12,000			
100R-17-7T-MN	●	7	100	40	45	32	63	9.5	16.4	1.8				10,500			
125R-17-9T-M	●	9	125	40	68	-	63	33	9.5	16.4	3.1	No	Fig.2	4.5			8,900
160R-17-12T-M	●	12	160	40	68	-	63	33	9.5	16.4	4.5	No	Fig.2	4.5			7,400

